

SOCORRO ELECTRIC COOPERATIVE, INC.  
FIRST REVISED RULE NO. 15  
CANCELLING ORIGINAL RULE NO. 15

SERVICE CONNECTIONS

Page 1 of 9

The Board of Trustees of the Cooperative recognizes its responsibility to protect the public health. It also recognizes its obligation to establish controls governing investment in service facilities and is aware of the requirement to establish service connection standards as a guide for electrical contractors.

Therefore, the Board of Trustees hereby adopts the following Rules and Regulations as standard requirements for all service connections.

These Rules and Regulations, as approved by the New Mexico Public Commission, are for your convenience and information.

These rules cover most conditions, but in case any unusual problem should arise, further information and advice may be obtained from the Cooperative office.

Advice Notice No. 53

  
\_\_\_\_\_  
Lupe Vega, Manager  
Socorro Electric Cooperative, Inc.

EFFECTIVE	
FOR	<b>SERVICE</b> ON
OCT 27 2000	
BY	<i>Rub 210</i>
APPROVED	
NEW MEXICO PUBLIC UTILITY COMMISSION	

SOCORRO ELECTRIC COOPERATIVE, INC.  
FIRST REVISED RULE NO. 15  
CANCELLING ORIGINAL RULE NO. 15

SERVICE CONNECTIONS

Page 2 of 9

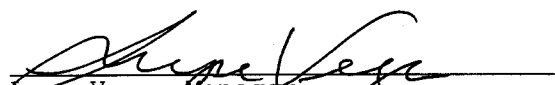
RULES AND REGULATIONS COVERING ELECTRICAL SERVICE  
SOCORRO ELECTRIC COOPERATIVE, INC.

I. Service Connections

- A. The requirements set forth in this regulation shall apply to all services connected after July 1, 1962.
- B. Latest revisions of the National Electrical Safety Code (N.E.S.C.), National Electrical Code (N.E.C.), and the Electrical Code issued by the Electrical Administrative Board of New Mexico (N.M.E.C.) shall be the minimum requirements of this regulation. This regulation is a minimum requirement for connection. The membership and general public shall be required to adhere to this regulation. The Socorro Electric Cooperative shall have sole power to make the final determination as to whether the regulation has been met.
- C. With respect to new construction prior to making a service connection, the Cooperative must be furnished with proof that all necessary building permits have been issued by the local governmental body with jurisdiction over the location of the new construction. The Cooperative will install one set of service wires and the necessary metering equipment, both of which shall remain its property. The Cooperative will maintain its meter and service wires up to the point of service on the consumer's structure. It is the consumer's responsibility to install and maintain all other wiring and equipment past the point of service. This provision shall include the terminal support for the Cooperative's service wires. In the case of overhead service, this shall be the point of attachment. \*

Advice Notice No. 53

EFFECTIVE	
<b>SERVICE</b>	
FOR	ON
OCT 27 2000	
BY	<i>Rule 210</i>
APPROVED	
NEW MEXICO PUBLIC UTILITY COMMISSION	

  
Lope Vega, Manager  
Socorro Electric Cooperative, Inc.

SOCORRO ELECTRIC COOPERATIVE, INC.  
FIRST REVISED RULE NO. 15  
CANCELLING ORIGINAL RULE NO. 15

SERVICE CONNECTIONS

Page 3 of 9

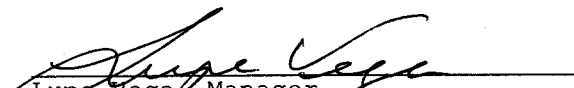
D. The consumer will install, own, and maintain the service entrance equipment (type and specifications to be approved by the Cooperative), which shall extend from the point of service to the consumer's service entrance switch. This shall include conduit, wires, and meter base, socket or enclosure as required. For all new construction and meter installations, the consumer's service shall leave the meter base, socket, or enclosure in one conduit through one set of wires to the main switch or wiring through. In no case shall less than No. 6 B&S gauge copper wire or equivalent be installed in the service entrance.

E. Further Specifications are as follows:

1. Where the Cooperative's existing service mains are in the alley or along the rear lot lines, the conduit with the service entrance cap shall be located on the rear side of the buildings and at a point, designated by the Cooperative, which is best located to supply the service connection. The point of attachment must be located at least 10 feet from any pole line. Where two poles are located in such a manner that either pole can be used, the service cap shall be located so that the pole to the rear of the lot on which the building is located can be used in order to avoid service lines overhanging adjacent properties. When an addition is made to the rear of any building, the consumer shall extend the service conduit and provide a point of attachment to the rear of the building. In all cases, the consumer or electrical contractor shall consult the Cooperative for the proper location of the point of attachment and meter and for the proper elevation of point of attachment.

Advice Notice No. 53

EFFECTIVE	
<b>SERVICE</b>	
FOR	ON
OCT 27 2000	
Rule 210	

  
Lupe Vega, Manager  
Socorro Electric Cooperative, Inc.

SOCORRO ELECTRIC COOPERATIVE, INC.  
FIRST REVISED RULE NO. 15  
CANCELLING ORIGINAL RULE NO. 15

SERVICE CONNECTIONS

Page 4 of 9

2. Where the Cooperative's existing service mains are in the street or in front of the building, the service entrance cap shall be located in front of the building or at the side of the building immediately adjacent to the front face of the building, at a point designated by the Cooperative.
3. Service drops to buildings cannot pass over any roofs unless provision is made by the consumer for the wire to clear all buildings at least eight (8) feet. Service drops will not be run around the corner of any building. The point of attachment shall be placed so that there are no obstructions between it and the Cooperative's pole from which the service will be run. The maximum length of service drop from pole to the attachment on the building should not be over one hundred twenty-five feet (125').
4. The service entrance cap shall be so located that the distance between it and the service shall be one foot or less. The wire needed to make the connection between the service entrance cap and the service drop shall be furnished by the consumers and for new services shall be left hanging from the cap.
5. Where the service head is pole-mounted, it shall be located in a different quadrant than the service attachment or attachments and shall be within eighteen (18) inches of the top service attachment of the Cooperative.
6. Drip loops shall be formed where the service and entrance conductors join. All connectors in the drip loops shall be taped unless the connector is the type that is insulated and weatherproof when the copper and aluminum conductor is to be placed above the copper.

Advice Notice No. 53

EFFECTIVE	
<b>SERVICE</b>	
FOR	ON
OCT 27 2000	
BY	Rule 210
APPROVED	
NEW MEXICO PUBLIC UTILITY COMMISSION	

  
Lupe Vega, Manager  
Socorro Electric Cooperative, Inc.

SOCORRO ELECTRIC COOPERATIVE, INC.  
FIRST REVISED RULE NO. 15  
CANCELLING ORIGINAL RULE NO. 15

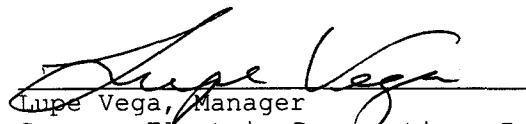
SERVICE CONNECTIONS

Page 5 of 9

7. The service entrance shall be so located that it will not be necessary to install more than one set of attachments on the building being served to support the service wires for each class of service. In all new buildings and in the remodeling of old buildings, the consumer shall install eyebolts for attaching the service wires to the building. The eyebolts shall be installed in such a manner as to provide adequate strength to support the wires or cables to be used. In the event adequate strength is not provided and the eyebolts pull out when the wires or cables are attached, resulting in damage to the building, the consumer shall reinstall the eyebolts in such a manner as to provide adequate strength, and the Cooperative shall be held blameless for such damage. The number of eyebolts installed for each type of service shall vary from one to three depending on whether the service is to be of service cable (one eyebolt), two wires (two eyebolts), or three wires (three eyebolts). The type of service to be provided will be at the discretion of the Cooperative.
8. Conduit risers from meter to service head shall be attached to walls and poles with pipe straps not more than four (4) feet apart. Where more than two straps are required, two-hole straps are required.
9. Meters shall be installed six (6) feet above final grade and shall be located in such a manner as to have ten (10) inches of space on each side at the base to provide working space.
10. Rain-tight switch boxes, breaker boxes, and meter boxes or bases shall be employed when exposed to weather and shall be in good working order.

Advice Notice No. 53

EFFECTIVE	
FOR	SERVICE
BY	ON
OCT 27 2000	
APPROVED	
NEW MEXICO PUBLIC UTILITY COMMISSION	

  
Lupe Vega, Manager  
Socorro Electric Cooperative, Inc.


SOCORRO ELECTRIC COOPERATIVE, INC.  
FIRST REVISED RULE NO. 15  
CANCELLING ORIGINAL RULE NO. 15

SERVICE CONNECTIONS

Page 6 of 9

11. All service equipment shall be grounded to a pipe or rod electrode (see N.E.C. 230-63 and 250-83).
12. All electric motors used on irrigation wells and pumps shall have their cases permanently connected to the supply system ground. For methods, consult the Socorro Electric Cooperative and Rural Electrification Administration Bulletin 161-19.
13. Attachments or provisions for attachments to buildings (houses) shall be sufficiently above the final ground level to allow a minimum of ten feet of clearance in the service conductor and the ground in the final span to the attachment to the house. If "the form of the building will not permit ten foot clearance and where all other clearance requirements are met, the clearance may be reduced to eight feet." (See N.E.S.C. Rule 232, Table 1). Article 230-24c, N.E.C., states that conductors (and attachments) shall be 36 inches or more from windows, doors, porches, or other similar locations.
14. The conduit from the service head to meter base shall have no junction boxes or condulets and the ends of the conduit must be reamed or equipped with insulated bushings.
15. Should it be determined that a service mast is required in order that clearance requirements of this regulation be met, the mast and the associated attachments to the building shall be furnished by the consumer. The Cooperative will furnish and install the proper insulated conduit clevis. The consumer shall be

Advice Notice No. 53

  
Lupe Vega, Manager  
Socorro Electric Cooperative, Inc.

EFFECTIVE	
<b>SERVICE</b>	
FOR	ON
OCT 27 2000	
BY	<i>Lupe Vega</i>
APPROVED	
NEW MEXICO PUBLIC UTILITY DISTRICT	

SOCORRO ELECTRIC COOPERATIVE, INC.  
FIRST REVISED RULE NO. 15  
CANCELLING ORIGINAL RULE NO. 15

SERVICE CONNECTIONS

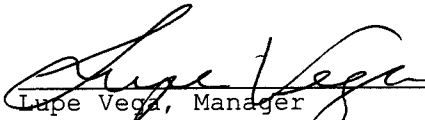
Page 7 of 9

obligated to furnish and maintain a mast that shall have adequate strength to hold the service conductors at their proper tensions; but in no case will smaller than two-inch rigid conduit be acceptable. A two-inch rigid conduit will fail when 1075 lbs. is applied with a 24-inch lever arm. A two and one-half inch rigid conduit will fail when 2075 lbs. is applied with a 24-inch lever arm. No. 4 aluminum triplex with 6/1 ACSR neutral has a breaking strength of 1740 lbs. No. 2 aluminum triplex with 6/1 ACSR neutral has a breaking strength of 2650 lbs. No. 1/0 aluminum triplex with 6/1 ACSR neutral has a breaking strength of 4070 lbs. Normal unloaded tensions of the triplex are as follows: #4 - 500 lbs., #2 - 800 lbs., 1/0 - 1200 lbs. The Cooperative will not be responsible to the consumer for damages that may occur to his property due to high tensions that may occur on the service conductor.

16. All points of attachments furnished by the consumer shall have adequate height to meet the requirements of this regulation. These same points of attachments shall have adequate strength to maintain the attaching service conductors at their proper sags and tensions. Meter poles, whether of a permanent or temporary nature, will be furnished by the consumer. In order to comply with the new National Electrical Safety Code, the Cooperative will require that the attachment of a service to a meter pole be a minimum of eighteen (18) feet above finished grade level. The meter pole shall be at least a 25-foot class 7 pole and shall be pressure treated and set in the ground a minimum of four feet deep. Minimum diameters for 25-foot class 7 poles are:

6.8 inches - 6 ft. from butt  
4.8 inches - at pole top

Advice Notice No. 53

  
Lupe Vega, Manager  
Socorro Electric Cooperative, Inc.

EFFECTIVE	
FOR	<b>SERVICE</b>
	ON
OCT 27 2000	
BY	Rule 210
APPROVED	
NEW MEXICO PUBLIC UTILITY COMMISSION	

SOCORRO ELECTRIC COOPERATIVE, INC.  
FIRST REVISED RULE NO. 15  
CANCELLING ORIGINAL RULE NO. 15

SERVICE CONNECTIONS

Page 8 of 9

If a pole is employed, it shall have a circumference of at least 22 inches at the ground line. For the convenience of consumers or electrical contractors who are unable to obtain proper size meter poles, the Cooperative stocks 25-foot poles at its pole yards in Socorro, Magdalena, and Quemado. These poles can be picked up at the yard at the current cost to the Cooperative. The Cooperative, as stated in Paragraph 18 of Rule 15, reserves the right to refuse service whenever the consumer's installation does not conform to terms or safety conditions as stated in Rule 15. This amendment will become effective on September 1, 1979.

Meter bases installed for power from any underground source whether on a building or a separate meter pole, will be required to have a minimum size conduit (ugc) of at least two and one-half inches diameter for 200 amp meter bases. This is to facilitate the installation of large size triplex underground services by the Cooperative. Drawing UMB, REA Form 806, January 1975, Specifications and Drawings for Underground Electric Distribution - Rural Electrification Administration.

17. Primary poles shall not be used as load centers or meter poles.
18. The Cooperative reserves the right to refuse service whenever the consumer's installation does not conform to the terms and conditions contained herein, to the electric inspection department of the municipality where required, to the laws of the State of New Mexico, to the rules and regulations of the National Electric Code, or to the clearance requirements of the National Electrical Safety Code regarding spacing between power conductors and communication conductors.

Advice Notice No. 53

  
Lupe Vega, Manager  
Socorro Electric Cooperative, Inc.

EFFECTIVE	
FOR	<b>SERVICE</b> ON
OCT 27 2000	
BY	<i>Rug 210</i>
APPROVED	
NEW MEXICO PUBLIC UTILITY COMMISSION	



SOCORRO ELECTRIC COOPERATIVE, INC.  
FIRST REVISED RULE NO. 15  
CANCELLING ORIGINAL RULE NO. 15

SERVICE CONNECTIONS

Page 9 of 9

II Connection to be Made by Cooperative's Employees

- A. The Cooperative will install the necessary overhead service wires from the street, alley, or road, or from the nearest pole of the Cooperative so that the Cooperative can span its wires directly to the point of connection on the consumer's building to the consumer's wires, and in such a manner that all wiring will be in plain view. The Cooperative will, at its expense, connect the consumer's service loop to Cooperative service wires at the point of contact of the Cooperative wires to consumer's building and install the meter. All other connections and wiring shall be made at the consumer's expense.
- B. The consumer agrees, in accepting service, that no one except the employees of the Cooperative shall be allowed to make an internal or external adjustment of any meter or any other piece of apparatus which is the property of the Cooperative.

EFFECTIVE	
FOR	ON
SERVICE	
OCT 27 2000	
BY	APPROVED
Rick 210	
NEW MEXICO PUBLIC UTILITY COMMISSION	

Advice Notice No. 53

  
Lupe Vega, Manager  
Socorro Electric Cooperative, Inc.

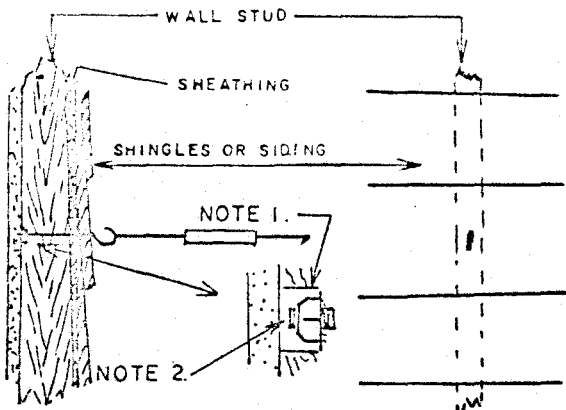


FIG. 1.  
FRAME CONSTRUCTION  
SHINGLES OR SIDING

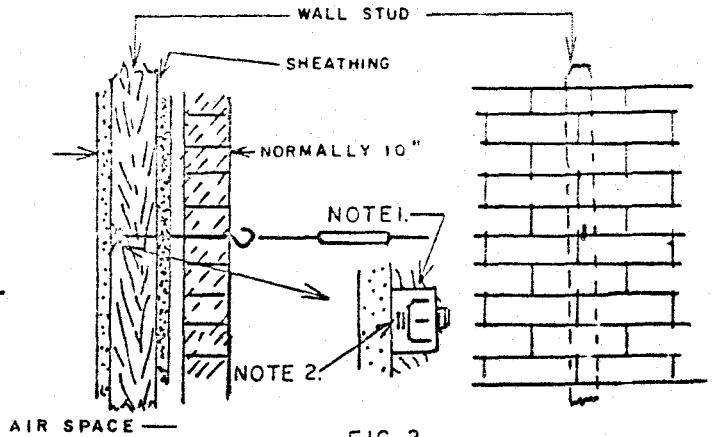


FIG. 2.  
BRICK VENEER CONSTRUCTION

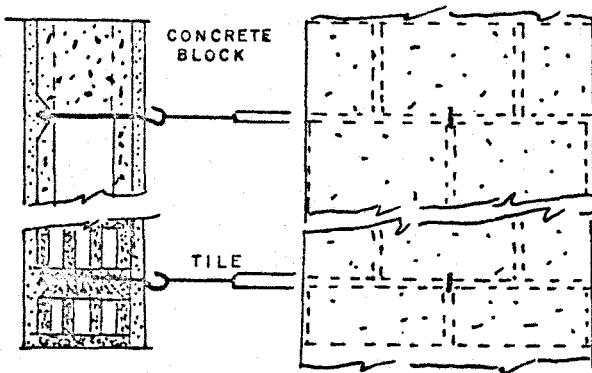


FIG. 3.  
HOLLOW  
TILE OR CONCRETE BLOCK  
CONSTRUCTION

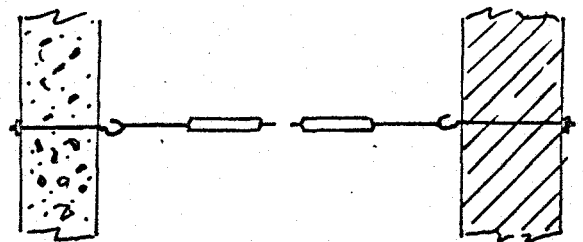
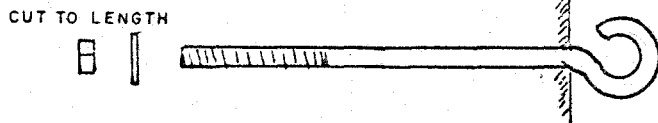


FIG. 4.  
SOLID  
CONCRETE OR MASONRY  
CONSTRUCTION



3/8" x 8", x 10", OR x 12" HOOK BOLT W/GALV. WASHER  
THE HOOK SHOULD BE PLACED WITH THE BEND AGAINST  
THE OUTER SURFACE OF THE WALL, THEN THE BOLT IS CUT  
OFF SO THAT IT WON'T SPOIL THE APPEARANCE OF THE FIN-  
ISH ON THE WALL INSIDE THE BUILDING.

NOTES:

1. NOTCH INSIDE OF STUD 1" DEEP TO ACCOMMODATE NUT AND WASHER.
2. DEFORM END OF HOOK BOLT THREADS TO PREVENT BEING UNSCREWED DURING CONSTRUCTION.



EFFECTIVE BY OPERATION OF LAW  
SEC. 62-8-7 AND G. O. NO. 2, SEC. 20  
DATE 5/30/85  
NEW MEXICO PUBLIC SERVICE COMMISSION

SERVICE ATTACHMENTS  
TO BUILDINGS  
SOCORRO ELECTRIC COOPERATIVE  
INC.

DATE: 5-5-62 SOCORRO, NEW MEXICO. NM 20-1

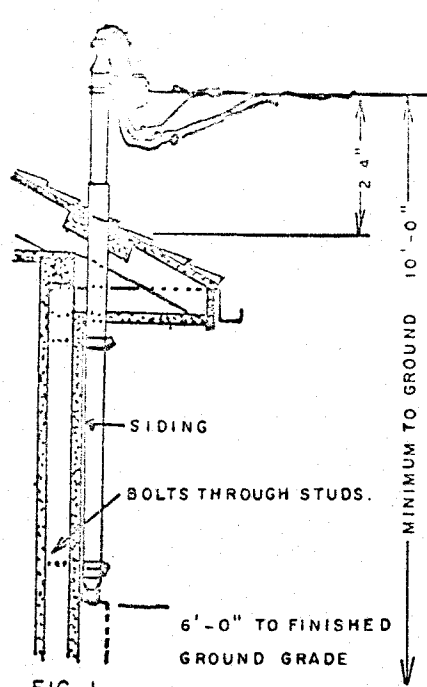


FIG. 1.  
FRAME CONSTRUCTION

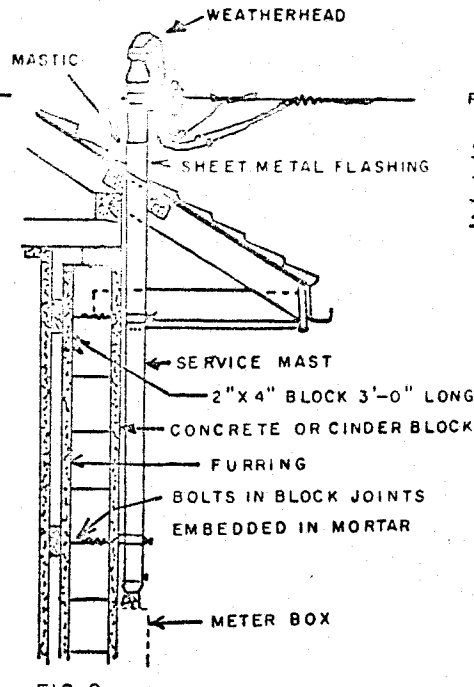


FIG. 2.  
BLOCK CONSTRUCTION

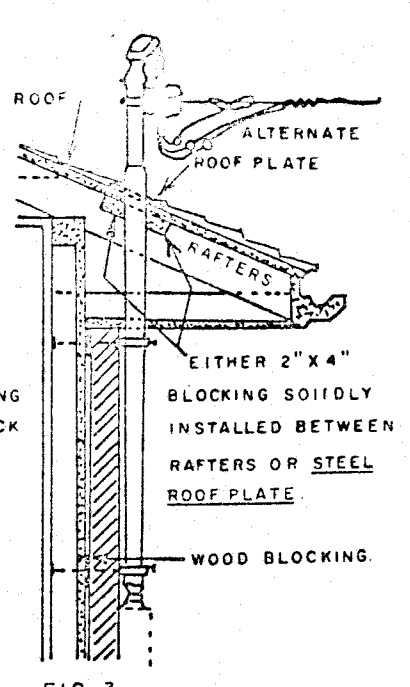
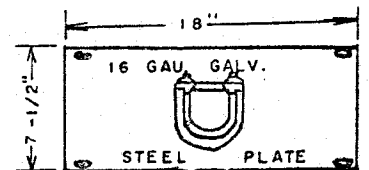


FIG. 3.  
BRICK VENEER CONSTRUCTION



ROOF-PLATE AS FURNISHED BY  
PORCELAIN PRODUCTS OF  
FINDLAY, OHIO.

**NOTES:**

ON LOW RANCH TYPE HOUSES WHERE THE MINIMUM CLEARANCES CANNOT BE PROVIDED WITH DIRECT ATTACHMENT TO THE BUILDING, IT IS OFTEN NECESSARY TO INSTALL A SERVICE RISER SUPPORT.

SUGGESTED OR TYPICAL INSTALLATIONS OF SERVICE RISER SUPPORTS WHICH MUST BE FURNISHED AND INSTALLED BY THE CUSTOMER ARE COVERED ON THE DRAWING.

THE RISER MUST HAVE SUFFICIENT LENGTH TO PROVIDE ADEQUATE CLEARANCE AS WELL AS SUFFICIENT STRENGTH TO SUPPORT SERVICE WIRES UNDER N.E.S.C. MEDIUM LOADING CONDITIONS. THE CUSTOMER SHOULD CONSULT AN ARCHITECT OR BUILDER REGARDING METHOD OF FASTENING THE RISER SUPPORT TO THE BUILDING BEFORE INSTALLING THE RISER. THE S.E.C. DOES NOT MAKE RECOMMENDATIONS REGARDING THE METHOD OF FASTENING AND ASSUMES NO RESPONSIBILITY FOR DAMAGE CAUSED BY THE SERVICE WIRES.

CANTILEVER STRENGTH OF RIGID STEEL CONDUIT AT 24" LEVER ARM: 2" WILL FAIL AT 1075 LBS., 2-1/2" WILL FAIL AT 2075 LBS.. THE MINIMUM BREAKING STRENGTH OF THE SMALLEST SERVICE DROP IS 1830 LBS.

TURN WEATHERHEAD TO THE SIDE SO THAT SERVICE WIRES CANNOT BE BLOWN AGAINST SERVICE ATTACHMENT.

THIS PRINCIPLE CAN BE APPLIED TO SPANISH OR OTHER TYPE BUILDINGS WHERE THERE IS NO ROOF OVERHANG.

**SERVICE**

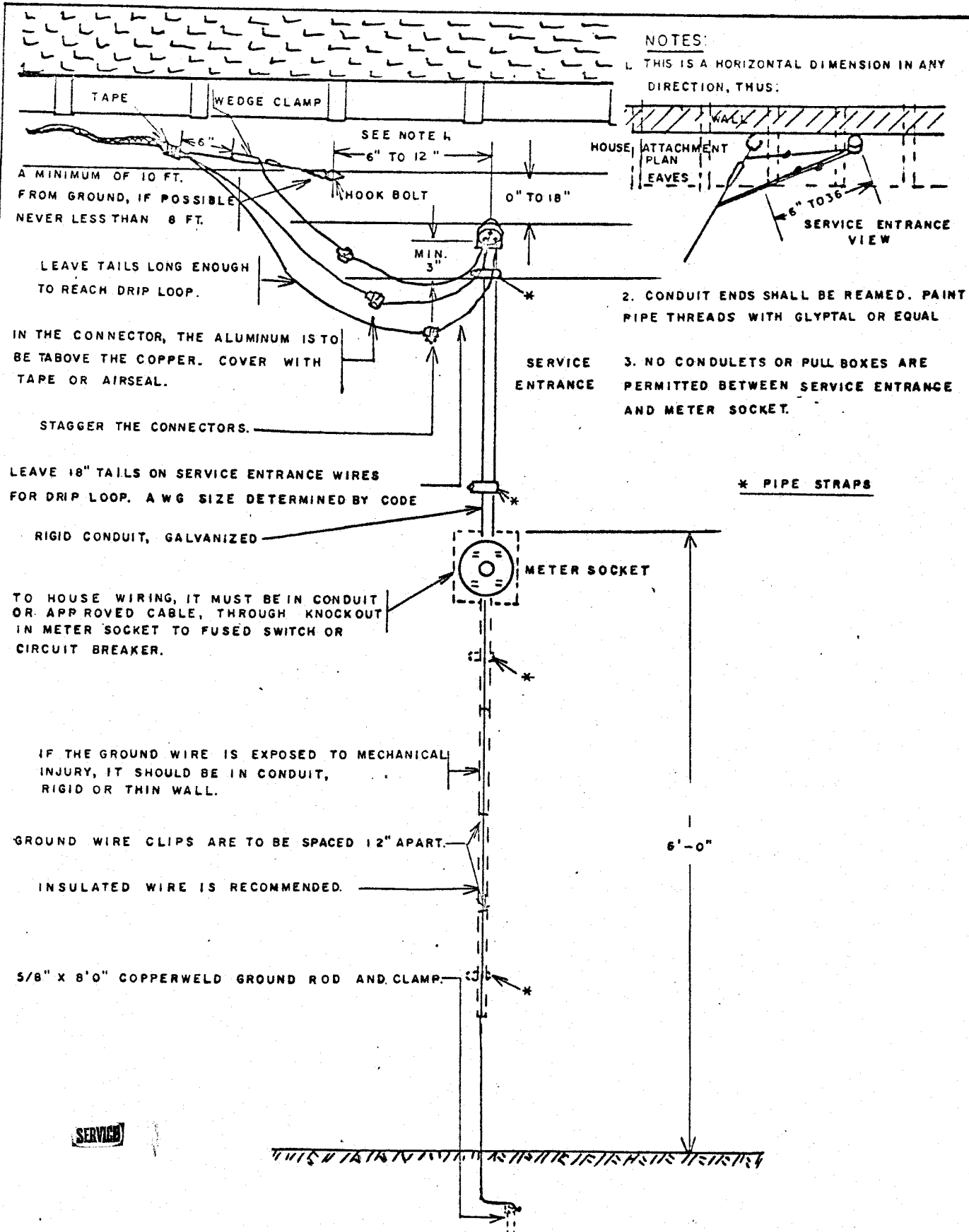
EFFECTIVE BY OPERATION OF LAW  
SEC. 62-8-7 AND G. O. NO. 2, SEC. 20

DATE 5/20/85  
NEW MEXICO PUBLIC SERVICE COMMISSION

SERVICE MAST INSTALLATIONS

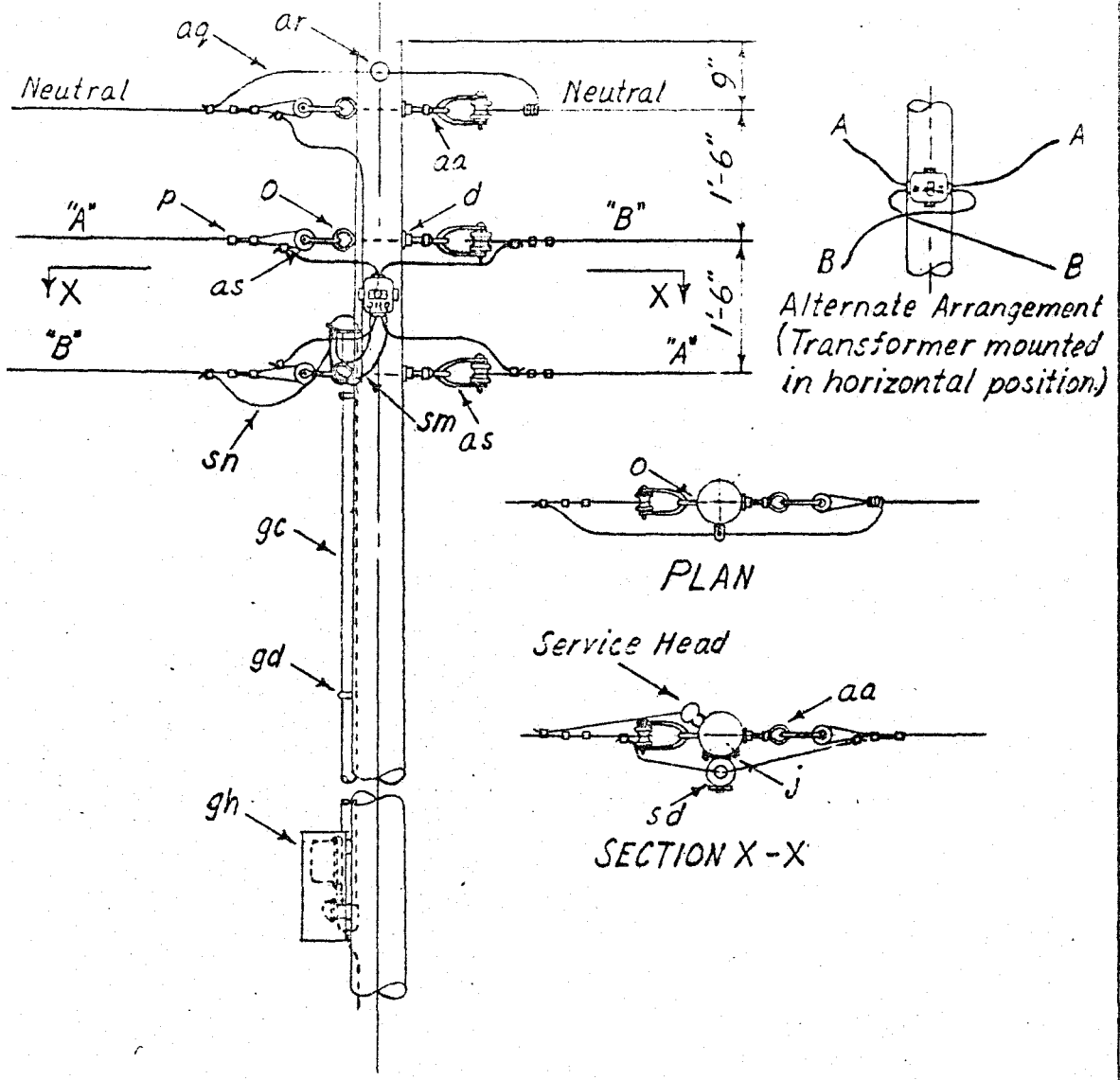
SOCORRO ELECTRIC COOPERATIVE  
INC

DATE: 5-5-62 SOCORRO, NEW MEXICO. NM 20-2



EFFECTIVE BY OPERATION OF LAW  
 SEC. 62-8-7 AND G. O. NO. 2, SEC. 20  
 DATE 5/30/85  
 NEW MEXICO PUBLIC SERVICE COMMISSION

METER LOOP INSTALLATION  
 ON BUILDINGS  
 SOCORRO ELECTRIC COOPERATIVE  
 INC.



ITEM	NO., REQD.	MATERIAL	ITEM	NO., REQD.	MATERIAL
d	3	Washer, 2 1/4" x 2 1/4" x 3/16", 13/16" hole	gd		Straps, Conduit, as required
j	2	Screw, lag	ge	1	Condulet, type LB
o	3	Bolt, eye, 7/8" x reqd. length		1	Service Head
p		Connectors, as required	gh	1	Meter box, meter and test block
aa	3	Nut, eye, 7/8"	sd	1	Transformer, current
aq		Jumpers, Insulated	sm		Wire, No. 12, insulated for current
ar	1	Wireholder	sn		Wire, No. 14, insulated for potential
as	6	Clevis, service, swinging, insulated			
gc		Conduit, 1/4" as required			

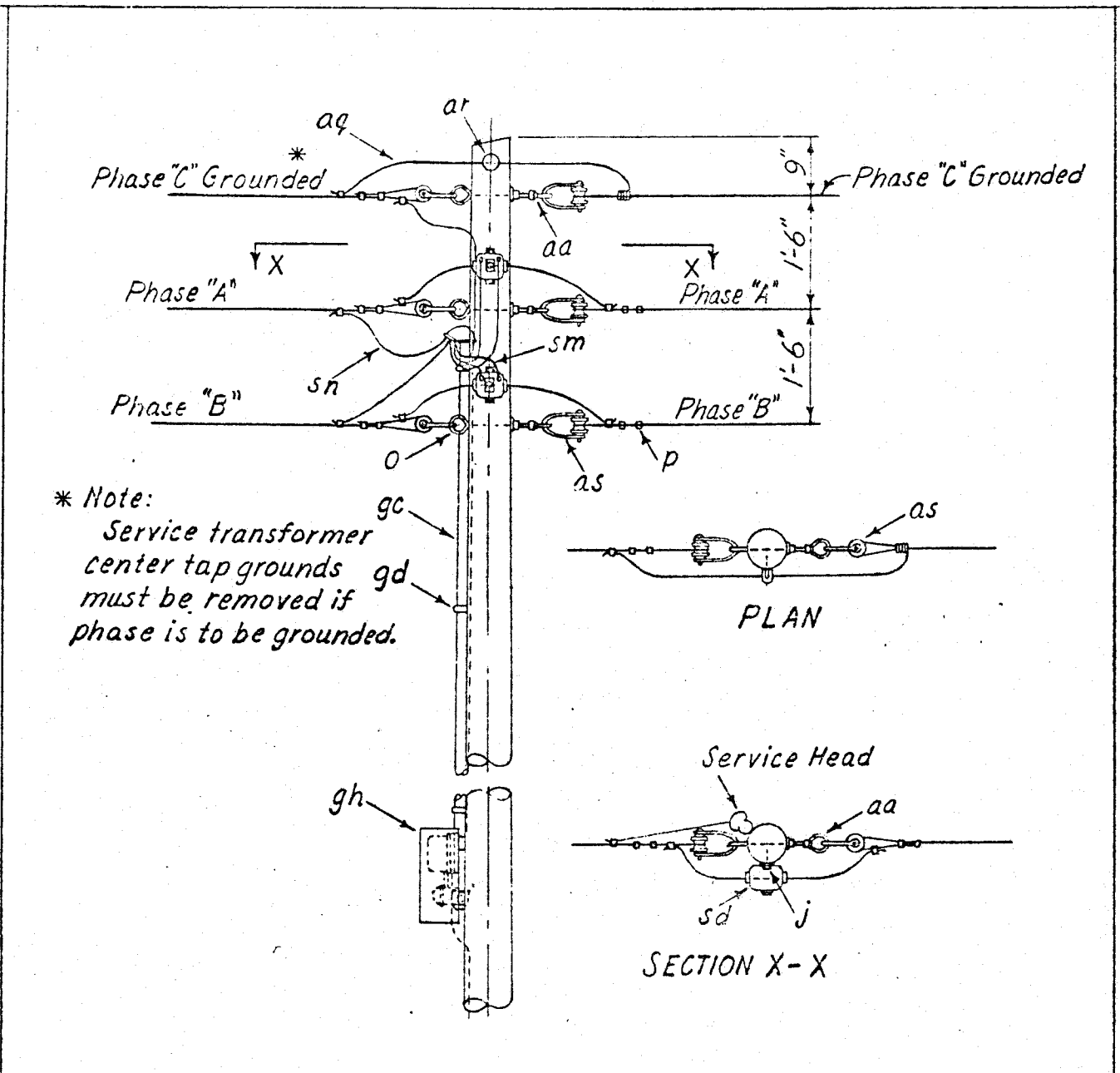
EFFECTIVE BY OPERATION OF LAW  
SEC. 62-8-7 AND G. O. NO. 2, SEC. 20

DATE 5/30/85  
NEW MEXICO PUBLIC SERVICE COMMISSION

SECONDARY METERING GUIDE  
SINGLE PHASE 3-WIRE METERING 240 VOLTS  
Scale: 1/2" = 1'-0"

Date: Oct. 14, 1954

1	Reissued	8-56	
No.	REVISION	DATE:	'M 8-2



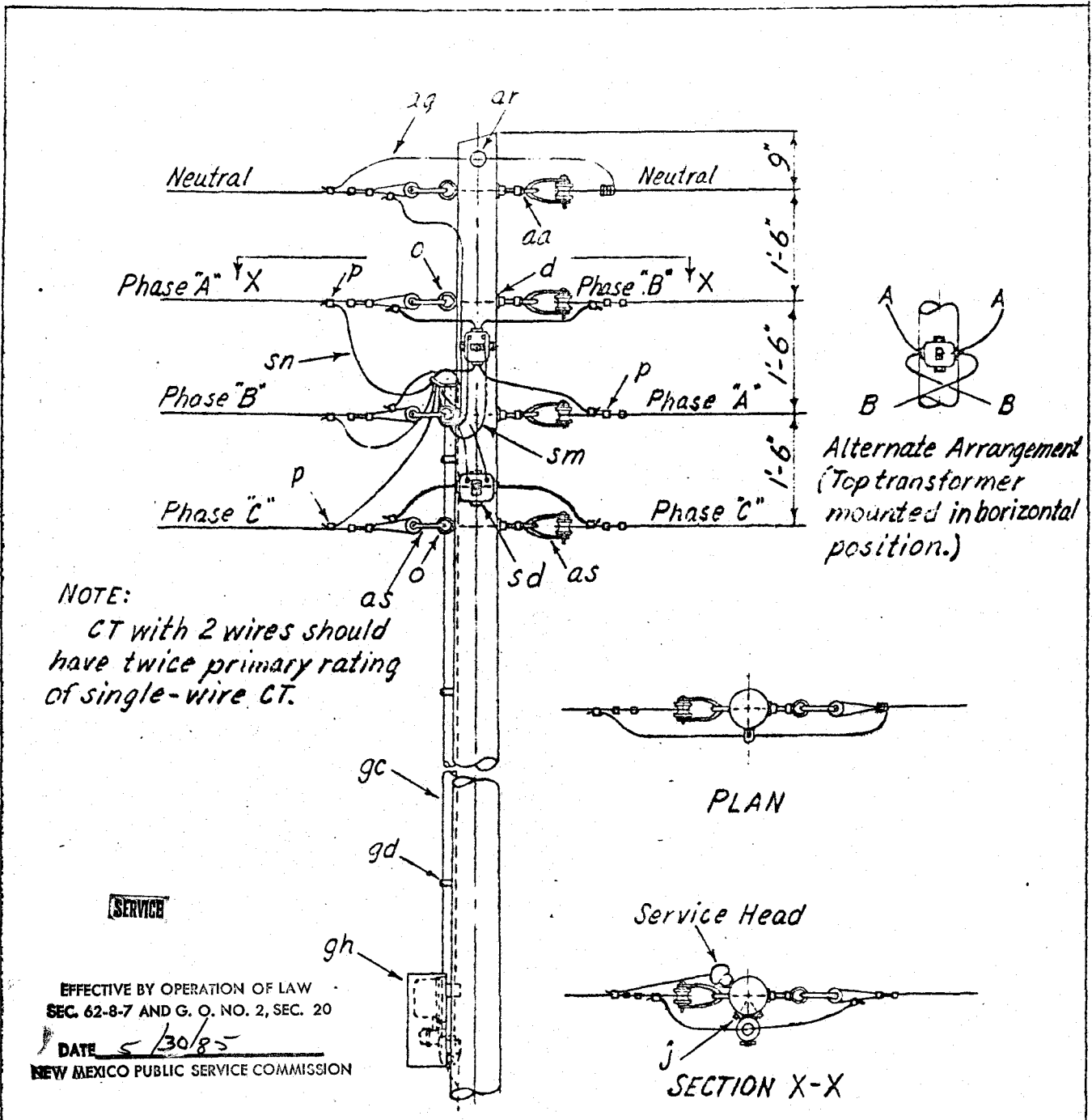
\* Note:  
Service transformer  
center tap grounds  
must be removed if  
phase is to be grounded.

ITEM No. REQD	MATERIAL	ITEM No. REQD	MATERIAL
d 3	Washer, 2 1/4" x 2 1/4" x 3/16", 1 3/16" hole	gd	Straps, conduit, as required
j 4	Screw, lag	ge 1	Condulet, type LB
o 3	Bolt, eye, 7/8" x reqd. length	1	Service Head
p	Connectors, as required	gh 1	Meter box, meter and test block
aa 3	Nut, eye, 7/8"	sd 2	Transformer, current
aq	Jumpers, Insulated	sm	Wire, No. 12, insulated for current
ar 1	Wireholder	sn	Wire, No. 14, insulated for potential
as 6	Clevis, service, swinging, insulated		
gc	Conduit, 1 1/4" as required		

EFFECTIVE BY OPERATION OF LAW  
SEC. 62-8-7 AND G. O. NO. 2, SEC. 20  
DATE 5/30/55  
NEW MEXICO PUBLIC SERVICE COMMISSION

SECONDARY METERING GUIDE  
THREE PHASE 3-WIRE METERING 240VOLTS  
(GROUNDED PHASE OPERATION)

1	Reissued	8-56	Scale: 1/2" = 1'-0"	Date: Oct. 14, 1954
No.	REVISION	DATE:		M8-3

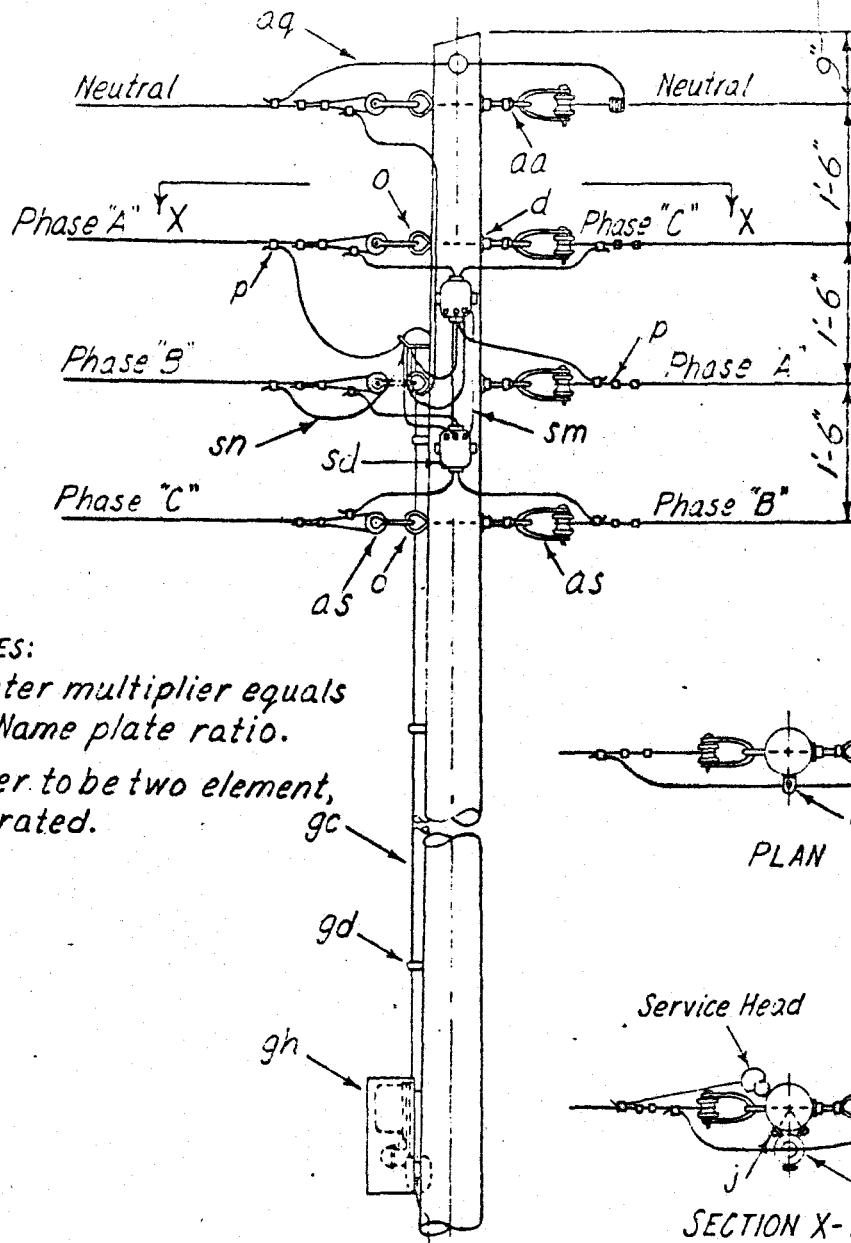


ITEM NO. REQD.	MATERIAL	ITEM NO. REQD.	MATERIAL
d 4	Washer, 2 1/4 x 2 1/4 x 3/16, 1 3/16" hole	as 8	Clevis, service, swinging, insulated
j 4	Screw, lag	gc	Conduit, 1/4" as required
o 4	Bolt, eye, 5/8" x reqd. length	gd	Straps, conduit, as required
p	Connectors, as reqd.	ge 1	Condulet, type "L B"
aa 4	Nut, eye, 5/8"	1	Service Head
aq	Jumpers, insulated	gh 1	Meter box, meter and test block
ar 1	Wireholder	sd 2	Transformer, Current
sm	Wire, No. 12, insulated for current		
sn	Wire, No. 14, insulated for potential		

**SECONDARY METERING GUIDE**  
**THREE PHASE 4-WIRE Δ METERING 240 VOLTS**

Scale: 1/2" = 1'-0"

1	Reissued	8-56	Date: Oct. 14, 1954
No.	REVISION	DATE:	M 8-4



NOTES:  
 Meter multiplier equals  
 C.T. Name plate ratio.  
 Meter to be two element,  
 C.T. rated.

ITEM NO.	REQD.	MATERIAL	ITEM NO.	REQD.	MATERIAL
d	4	Washer, 2 1/4" x 2 1/4" x 7/16", 1 3/16" hole	gd		Straps, conduit, as required
j	4	Screw, 1/2"	ge	1	Condulet, type "LB"
o	4	Bolt, eye, 5/8" x reqd. length		1	Service Head
p		Connectors, as required	gh	1	Meter box, meter and test block
aa	4	Nut, eye, 5/8"	sd	2	Transformer, current
ag		Jumpers, insulated	sm		Wire, No. 12, insulated for current
ar	1	Wireholder	sn		Wire, No. 14, insulated for potential
as	8	Clevis, service, swinging insulated			
gc		Conduit, 1 1/4" as required			

EFFECTIVE BY OPERATION OF LAW  
 SEC. 62-8-7 AND G. O. NO. 2, SEC. 20  
 DATE 5/30/85  
 NEW MEXICO PUBLIC SERVICE COMMISSION

SECONDARY METERING GUIDE 120/208 VOLTS  
 THREE PHASE 4-WIRE Y METERING  
 (EQUIVALENT TO 2 1/2 ELEMENT)

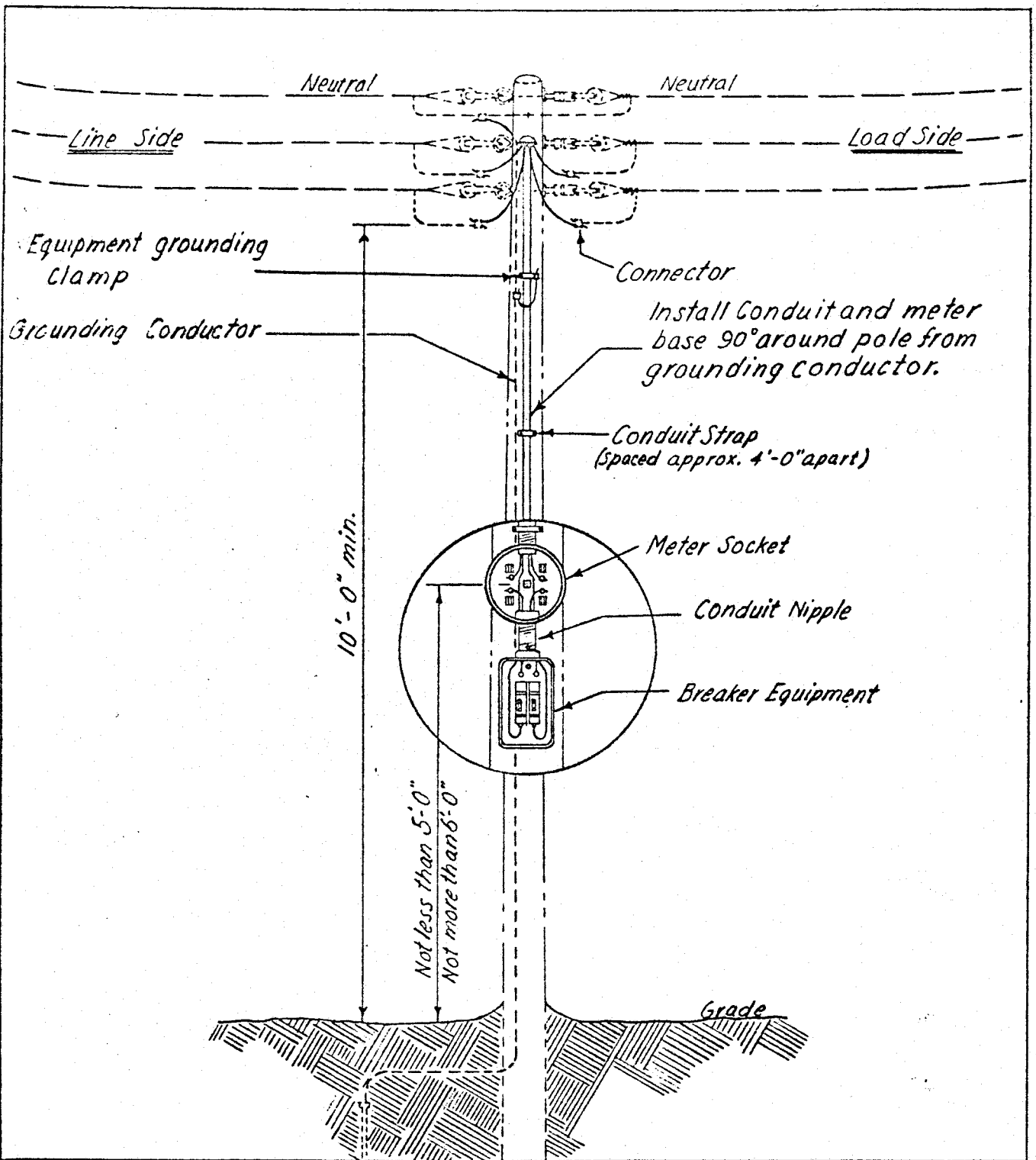
Scale: 1/2" = 1'-0"

Date: July 12, 1956

M 8 - 5

SERVICE





**SERVICE**

EFFECTIVE BY OPERATION OF LAW  
SEC. 62-8-7 AND G. O. NO. 2, SEC. 20

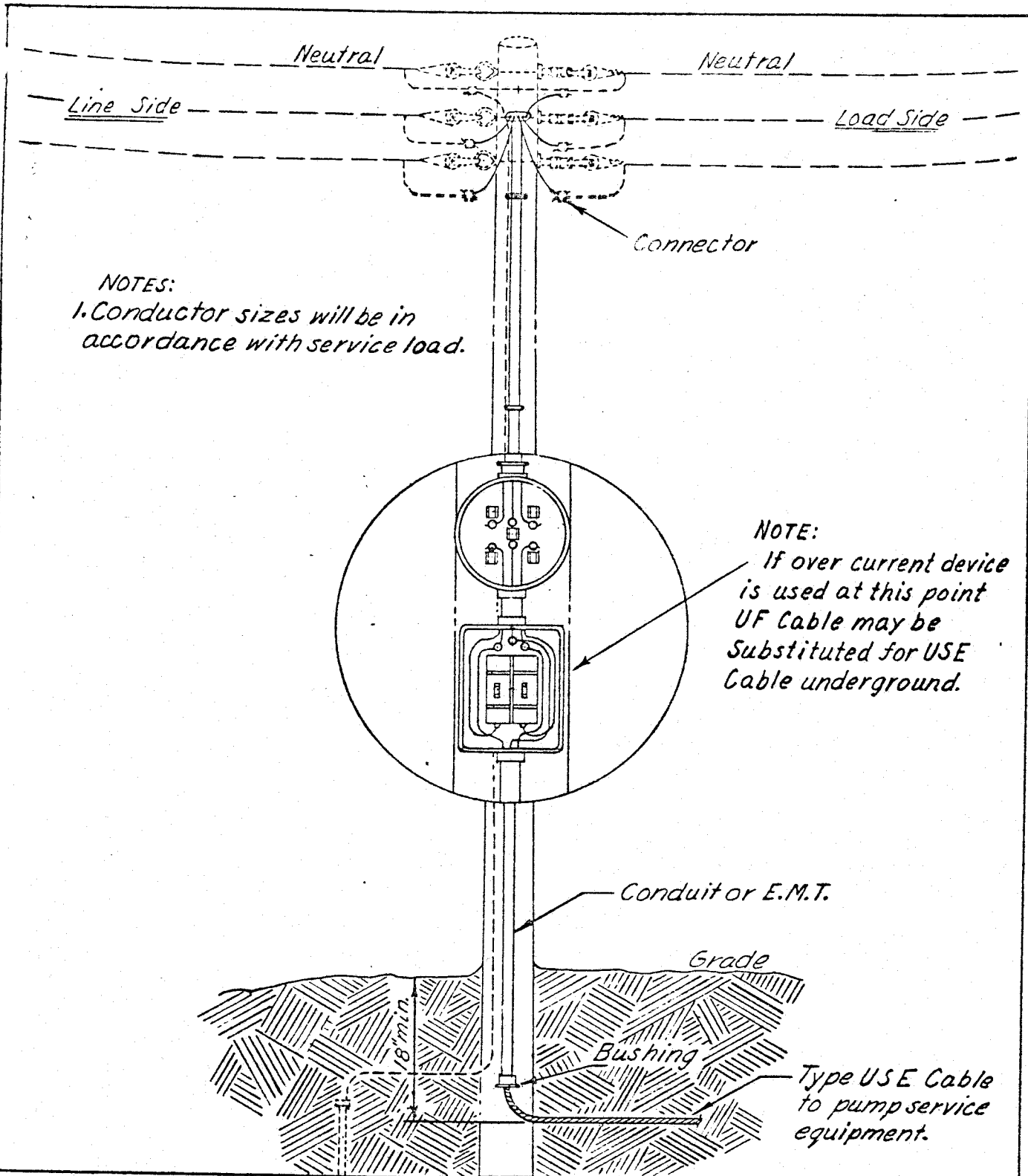
DATE 5/30/85  
NEW MEXICO PUBLIC SERVICE COMMISSION

### GUIDE - YARD POLE METER INSTALLATION

Scale: N.T.S.

Date: July 12, 1956

M 8 - 8



NOTES:  
 1. Conductor sizes will be in accordance with service load.

NOTE:  
 If over current device is used at this point UF Cable may be substituted for USE Cable underground.

EFFECTIVE BY OPERATION OF LAW  
 SEC. 62-8-7 AND G. O. NO. 2, SEC. 20

DATE 5/30/85  
 NEW MEXICO PUBLIC SERVICE COMMISSION

SERVICE

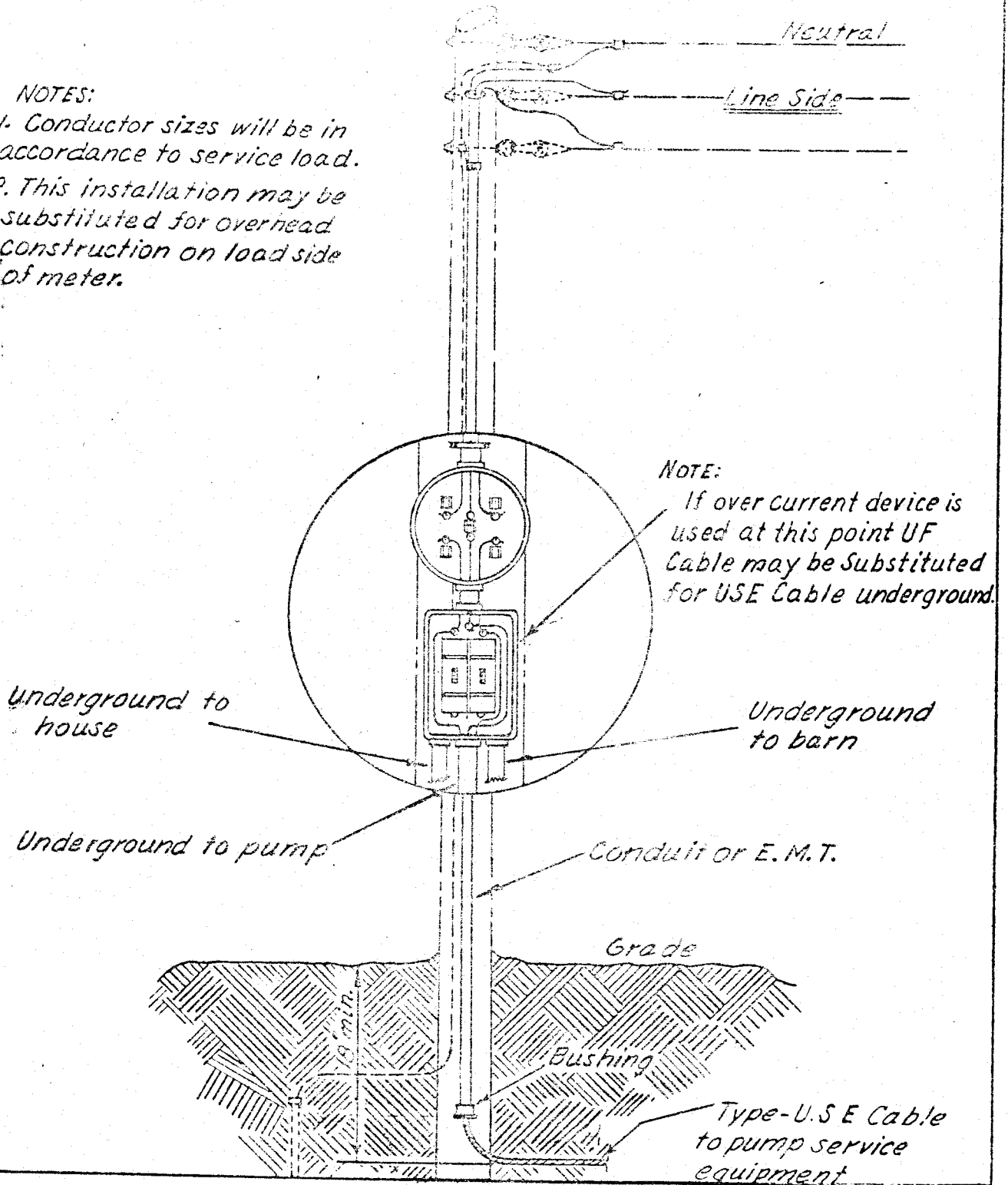
GUIDE TO YARD POLE METER INSTALLATION  
 (SHOWING PUMP SERVICE CARRIED UNDERGROUND)

Scale: None

Date: July 12, 1956

M 8-9

- NOTES:
1. Conductor sizes will be in accordance to service load.
  2. This installation may be substituted for overhead construction on load side of meter.



EFFECTIVE BY OPERATION OF LAW  
 SEC. 62-8-7 AND G. O. NO. 2, SEC. 20

DATE 5/30/85  
 NEW MEXICO PUBLIC SERVICE COMMISSION



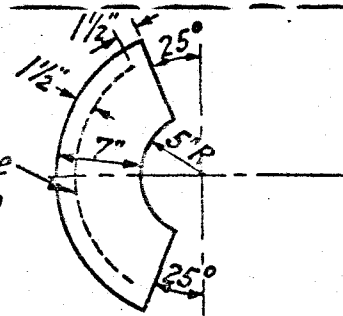
GUIDE TO YARD POLE METER INSTALLATION  
 (SHOWING ALL BUILDING SERVICES  
 CARRIED UNDERGROUND)

Scale: None:

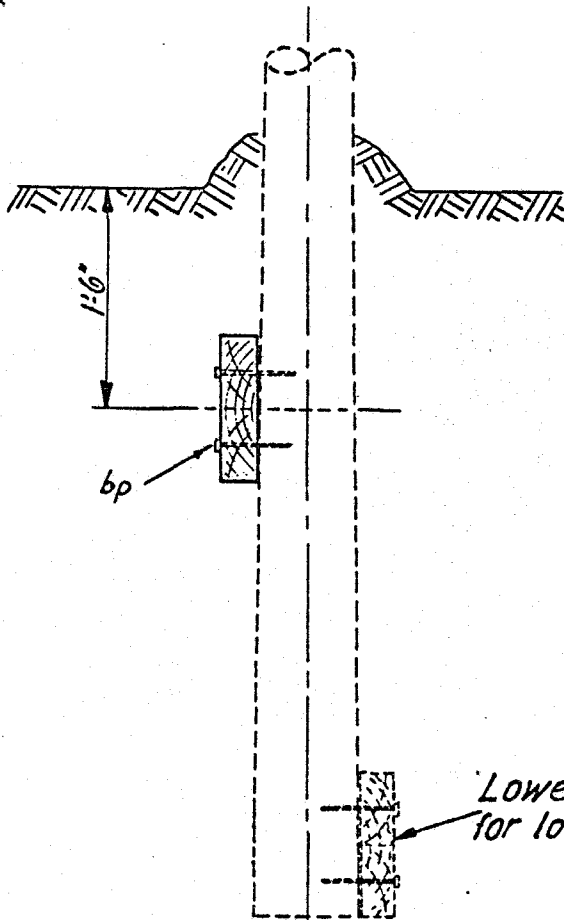
Date: July 12, 1956

M 8-10

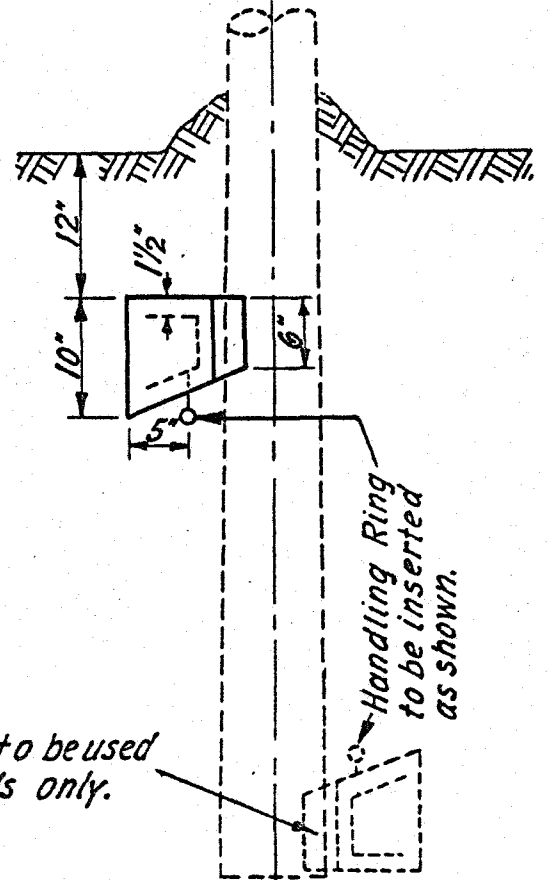
Reinforcing #6 galv. steel wire  
Concrete of 1-2-4 mix to  
be properly cured.



PLAN OF  
PRE-CAST CONCRETE KEY



UNIT M32-1



UNIT M32-2

Lower keys to be used  
for loose soils only.

Handling Ring  
to be inserted  
as shown.

ASSEMBLY UNIT

ITEM	MATERIAL	ASSEMBLY UNIT	
		M32-1	M32-2
		No. REQ'D.	No. REQ'D.
bp	Nails, 60-penny	2	
	Creosoted plank, 3 1/2 x 12 x 3/4, or equivalent	1	
	Key, pre-cast reinf. concrete		1

EFFECTIVE BY OPERATION OF LAW  
SEC. 62-8-7 AND G. O. NO. 2, SEC. 20  
DATE 5/30/85  
NEW MEXICO PUBLIC SERVICE COMMISSION

SERVICE

POLE KEY ASSEMBLY

Scale: 3/4" = 1'-0"

Date:

M32-1, M32-2

NO. REVISION DATE